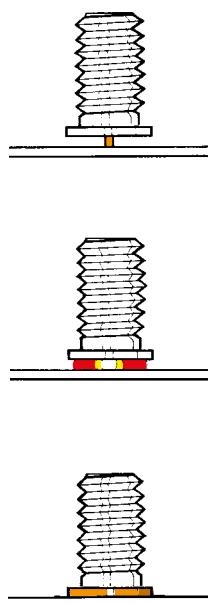


TAYLORMADE CAPACITOR DISCHARGE STUDWELDING SYSTEM



Taylor Studwelding Systems Limited is a specialist in the design, manufacture and supply of Studwelding equipment and studs. Within our range of British built equipment, we will have the system to suit your requirements.

MICRO CONTACT HANDTOOL

Ergonomically designed to provide a fast, safe method of welding in narrow or complicated areas. The Taylor Studwelding Systems Micro Contact Handtool is connected to our standard C2 Contact Handtool using a standard M6 chuck.

Designed and built to exacting standards and meets all required standards, the Micro Contact Handtool is CE and UKCA marked.

TEL: +44 (0)1924 452123 | FAX: +44 (0)1924 430059
EMAIL: sales@taylor-studwelding.com | www.taylor-studwelding.com



A TAYLORMADE SOLUTION FOR CAPACITOR DISCHARGE APPLICATIONS WHERE ACCESS IS AN ISSUE

TAYLOR STUDWELDING SYSTEMS LIMITED

Commercial Road, Dewsbury, West Yorkshire, WF13 2BD, England

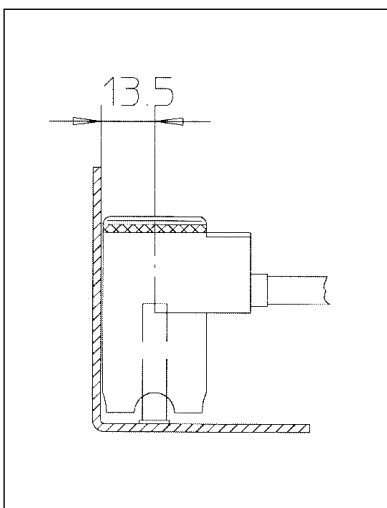
TEL: +44 (0)1924 452123 | FAX: +44 (0)1924 430059 | EMAIL: sales@taylor-studwelding.com

www.taylor-studwelding.com

TAYLORMADE CAPACITOR DISCHARGE STUDWELDING SYSTEM



MINIMUM DISTANCES REQUIRED

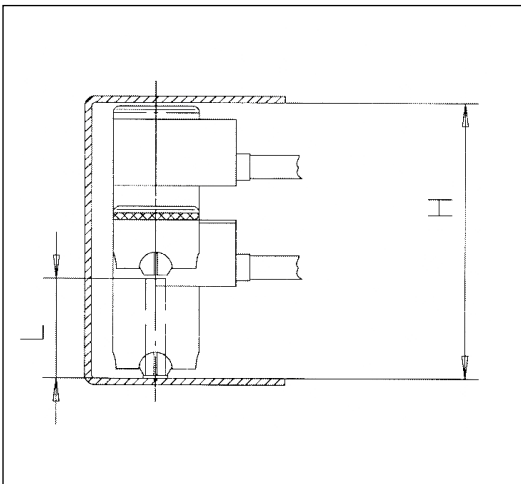


MINIMUM DISTANCE
FROM STUD CENTRE
TO INSIDE FACE OF VERTICAL
WALL IS 13.5mm

SMALLEST OVERHUNG SPACE
INTO WHICH WELDING CAN
OCCUR IS

$$H = 53\text{MM} + L$$

WHERE L = LENGTH OF STUD

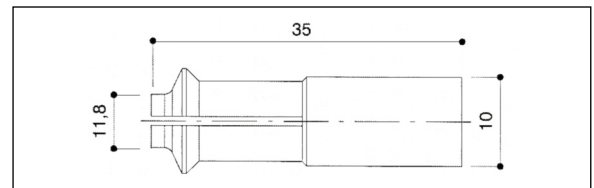


MICRO CONTACT HANDTOOL FEATURES

- Compact.
- Lightweight.
- Easy to fit.
- Easy to use.

Micro Contact Handtool

| | |
|-------------------|------------|
| Welding Range | 2-8mm |
| Stud Length Range | Up to 25mm |
| Handtool Length | 50mm |
| Handtool Weight | 0.30 kg |
| Part number | 71-104-211 |



MICRO CONTACT HANDTOOL CHUCKS

| Stud Diameter | Part Number |
|---------------|-------------|
| M3 | 71-104-203 |
| M4 | 71-104-204 |
| M5 | 71-104-205 |
| M6 | 71-104-206 |
| M7.1 | 71-104-207 |
| M8 | 71-104-208 |
| M10 | 71-104-210 |



TAYLOR STUDWELDING SYSTEMS LIMITED

Commercial Road, Dewsbury, West Yorkshire, WF13 2BD, England

TEL: +44 (0)1924 452123 | FAX: +44 (0)1924 430059 | EMAIL: sales@taylor-studwelding.com

www.taylor-studwelding.com